
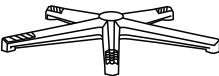



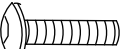
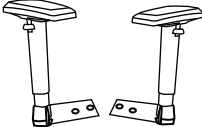
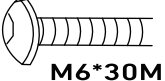
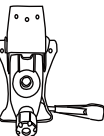
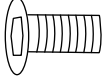
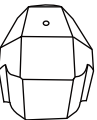
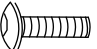
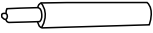
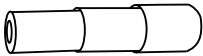



| | |
|--|--|
| Aa x1  | H x1  |
| Ab x1  | I x5  |
| B x1  | Ja x6  M6*25MM |
| C x1  | Jb x2  M6*30MM |
| D x1  | K x3  M8*20MM |
| E x1  | L x5  M6*20MM |
| G x1  | M x1  |
| N x1  | |

